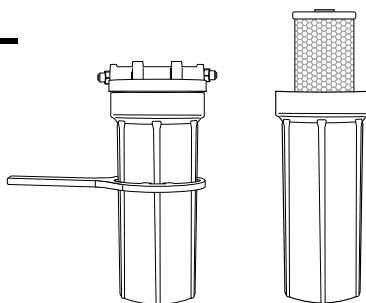


# DR. MERCOLA'S FLUORIDE REMOVAL FULL SPECTRUM UNDER-COUNTER WATER FILTRATION SYSTEM

## REPLACING THE FILTER

- 1 To replace the filter, use the housing wrench to twist open the filter's housing canister. Slide the wrench up onto the housing canister. Then hold the housing lid with one hand while turning the wrench clockwise, or towards you, with the other hand to open.
- 2 If the housing is mounted, range of motion may be limited.
- 3 Remove expired filter and install the new filter in its place. Position correctly by following the direction of the sticker on the replacement filter that says "This End **MUST** Face Lid". Remove this sticker prior to installing. Replace the housing lid and tighten with your hands first, then use the filter wrench to properly close. **DO NOT** over tighten, but ensure it is properly closed to prevent leaking and water damage.
- 4 If the 1/4" tubing was removed, reinstall by inserting the end of the tubing firmly into the Quick Connect Fitting. Give it a tug to ensure proper installation.

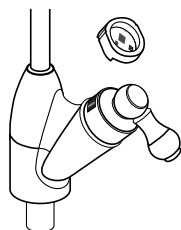
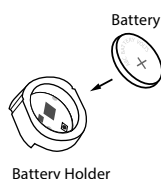


## REPLACING THE BATTERY (not included)

**NOTE:** The battery powered LED indicator reminds you to replace the filter after 250 gallons. To ensure it works correctly, the battery should be replaced at the same time as the filter.

- 1 Remove battery holder by grasping the black rubber located on the faucet handle with your fingers and pull out.
- 2 Remove old battery, and dispose of properly.
- 3 Install new battery so that the positive side (+) is facing out. The LED will flash BLUE-YELLOW-YELLOW-BLUE to signal successful installation. Replacement Battery Size: CR2032.
- 4 To reset the LED Filter Life Indicator after replacing the filter, press and hold the reset button labeled "SW1" for three seconds. The light will blink RED-BLUE-RED.
- 5 Reinsert the battery holder into the faucet with the positive side (+) of the battery facing out.
- 6 To test, turn the faucet on. LED should flash BLUE.

**Replacement Battery**    **Reinsert Battery Holder**  
Size: CR2032



**Reset button for Filter Life Indicator**  
(size of a pinhead)  
Code SW1

