

PC WHF2000 Whole House Prefilter Cartridge replacement

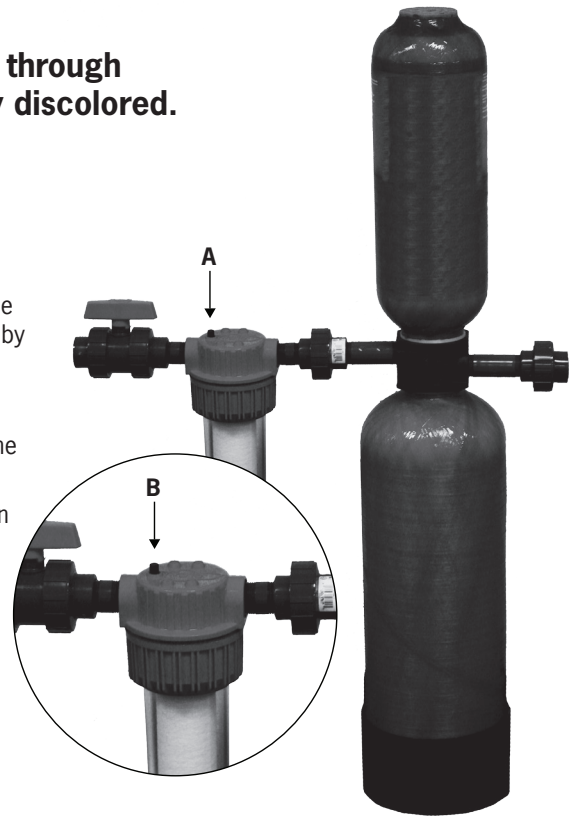
DR. MERCOLA®
HEALTHY HOME

Replace the prefilter if there is a noticeable reduction of flow through the filter system, or if the prefilter cartridge becomes heavily discolored.

(Every 1-3 months depending on sediment levels)

1. Shut off the water supply with the ball valve (labeled as 'A' in the figure below).
2. Relieve water pressure by opening a faucet near the unit.
3. Place a pail under the prefilter housing to catch excess water. Press the pressure release button repeatedly (labeled as 'B' in the figure below). Dissassemble the prefilter housing by rotating the blue ring clockwise.
4. Remove the used cartridge, rinse the sump, and place a new cartridge into the sump.
5. Clean the housing o-ring and relubricate it with petroleum jelly or silicone grease. Seat the o-ring into the proper groove and reattach the sump.
6. Slowly turn the water supply back on while checking for leaks. If there are any leaks, turn off the water supply and retighten connections.

**To order a four pack of sediment prefilter cartridges:
visit waterfilters.mercola.com or call toll free
(within the United States) 877-985-2695**



PC SPF2000_20101116

PC WHF2000 Whole House Prefilter Cartridge replacement

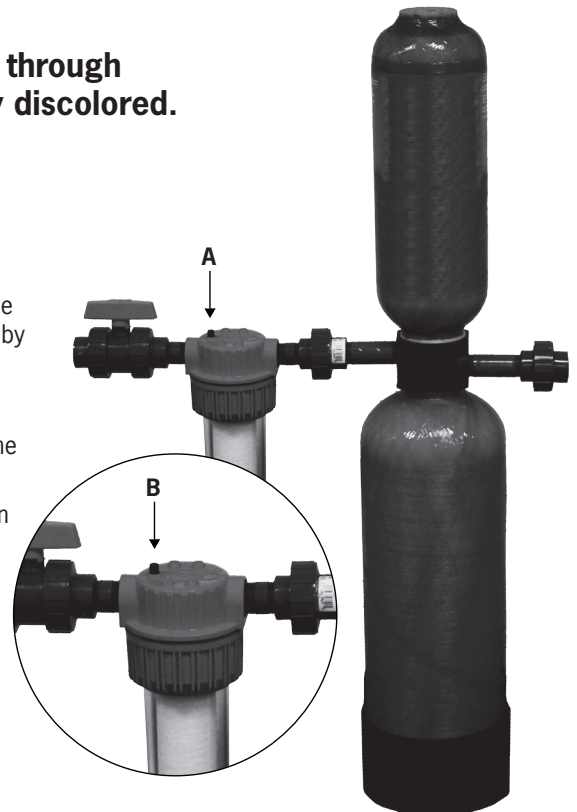
DR. MERCOLA®
HEALTHY HOME

Replace the prefilter if there is a noticeable reduction of flow through the filter system, or if the prefilter cartridge becomes heavily discolored.

(Every 1-3 months depending on sediment levels)

1. Shut off the water supply with the ball valve (labeled as 'A' in the figure below).
2. Relieve water pressure by opening a faucet near the unit.
3. Place a pail under the prefilter housing to catch excess water. Press the pressure release button repeatedly (labeled as 'B' in the figure below). Dissassemble the prefilter housing by rotating the blue ring clockwise.
4. Remove the used cartridge, rinse the sump, and place a new cartridge into the sump.
5. Clean the housing o-ring and relubricate it with petroleum jelly or silicone grease. Seat the o-ring into the proper groove and reattach the sump.
6. Slowly turn the water supply back on while checking for leaks. If there are any leaks, turn off the water supply and retighten connections.

**To order a four pack of sediment prefilter cartridges:
visit waterfilters.mercola.com or call toll free
(within the United States) 877-985-2695**



PC SPF2000_20101116

PERFORMANCE DATA

RATED SERVICE FLOW: 7 gpm (26.25 L p/min)

CAPACITY: 300,000 gal (1,136,000 L) or 3 years

OPERATING PRESSURE RANGE: 20-100 psi (1.4 - 6.0 bar)

OPERATING TEMPERATURE RANGE: 40° - 100°F (4° - 38°C)

Unit is designed for a 3 year or 300,000 gallon life, whichever occurs first.
Replace unit when there is a noticeable return of off-tastes or odors.

FILTER CAPACITY 300,000 GALLONS.

IMPORTANT REMINDER

The prefilter on your Whole House filter system should be replaced every 1-3 months to ensure optimum performance.



You can now order online at waterfilters.mercola.com

PERFORMANCE DATA

RATED SERVICE FLOW: 7 gpm (26.25 L p/min)

CAPACITY: 300,000 gal (1,136,000 L) or 3 years

OPERATING PRESSURE RANGE: 20-100 psi (1.4 - 6.0 bar)

OPERATING TEMPERATURE RANGE: 40° - 100°F (4° - 38°C)

Unit is designed for a 3 year or 300,000 gallon life, whichever occurs first.
Replace unit when there is a noticeable return of off-tastes or odors.

FILTER CAPACITY 300,000 GALLONS.

IMPORTANT REMINDER

The prefilter on your Whole House filter system should be replaced every 1-3 months to ensure optimum performance.



You can now order online at waterfilters.mercola.com